

Mobile Tapping Table XL



Specially Designed And Fabricated For Use With A Tapping Arm

- Provides a flexible tapping and assembly area that can be easily moved throughout the plant
- Complements flexible cell manufacturing by reducing setup time and material handling
- When placed by a laser, plasma, turret press, mill, or drill, an equipped Tapping Table helps lower material handling costs
- When equipped with a tapping arm, machine shops can lower tapping costs by using the Tapping Table in place of a CNC
- Provides tool and die repair shops with a mobile solution for tapping, drilling and grinding
- Replaces existing tables to increase productivity even more

Specially designed and fabricated for use with a pneumatic tapping arm, the Mobile Tapping Table XL features rugged all-welded steel construction that is ideal for heavy duty industrial and manufacturing work environments. (Tapping Arm and Waste Basket not included. Optional vice shown.)



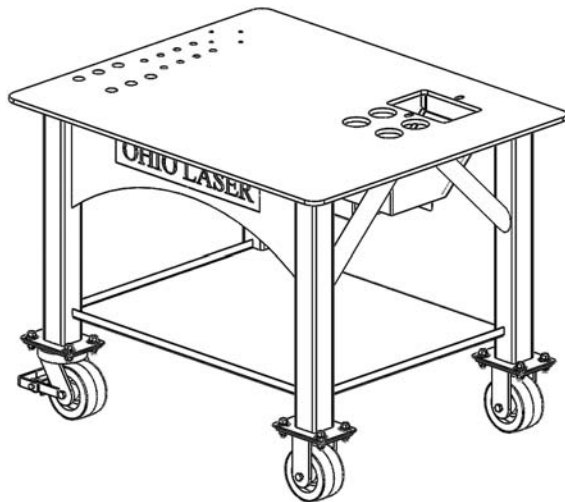
8260 Estates Parkway
Plain City, OH 43064

Visit Us: www.ohiolaser.com

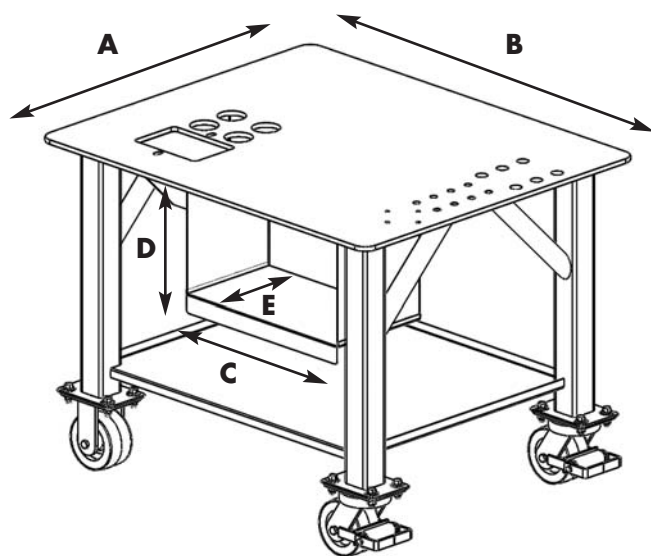
Tel: 614-873-7030
Fax: 614-873-7040

Mobile Tapping Table XL

Front View



Back View



Performance Benefits

- Welded Steel Table Construction ideal for heavy duty industrial and manufacturing work environments
- Extra large holes & slot above Debris Chute allows for easy cleanup and removal of shavings
- Work Surface height in ergonomic green zone
- Extra thick extra large Work Surface with Tool Storage
- Fixed bottom shelf provides convenient storage

Design Features

- Designed for use with a Tapping Arm
- Heavy duty distributed weight capacity
- Fixed Bottom Shelf with Raised Lip Edge Design on three sides retains contents while Formed Down Bottom Lip provides easy cleaning
- Large capacity Storage Area
- Durable Black Power Coat Finish provides rugged duty to withstand harsh work environments
- Available with optional Work Vise
- Each table made and fabricated to the highest standards right here in the USA
- Tapping Arm and Waste Basket not included
- Optional Custom Name Plate with your company name or initials for an additional charge

Product Specifications & Dimensional Data*

- 5,000 lb. Distributed Weight Capacity
- 1/2 inch thick Steel Table Surface
- 39 inch x 47 in. Work Surface (A x B)
- 22 inch x 13 in. x 12 in. Storage Area (C x D x E)
- 36 inch Table Height (F)
- 6 in. X 3in. Phenolic Wheel Caster (90D), 2 Swivel with Brake, 2 Rigid, 2,000 lb. capacity each
- 450 lb. Table Weight
- 500 lb. Approximate Shipping Weight with Skid

*Dimensional data is approximate



Proudly Made in the USA

© 2013 Ohio Laser LLC. All Rights Reserved

Ohio Laser LLC
8260 Estates Parkway
Plain City, OH 43064

Tel: 614-873-7030

Fax: 614-873-7040

Visit Us: www.ohiolaser.com

OHIO LASER
Fabricators of
Tube, Sheet and Plate